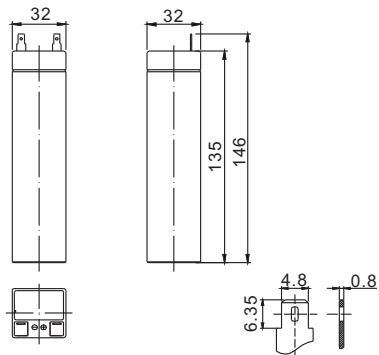


Standard Series FP440 4V3.3Ah

FirstPower®

Dimension(mm)



T1
Terminal



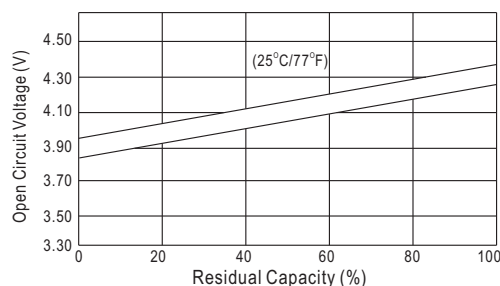
Specification

Nominal Voltage		4 V
Capacity(20HR, 25°C)		3.3Ah
Dimension	Length	32mm (1.26inch)
	Width	32mm (1.26inch)
	Height	135mm (5.31inch)
	Total Height	146mm (5.75inch)
Approx. Weight		0.35kg (0.77lbs)

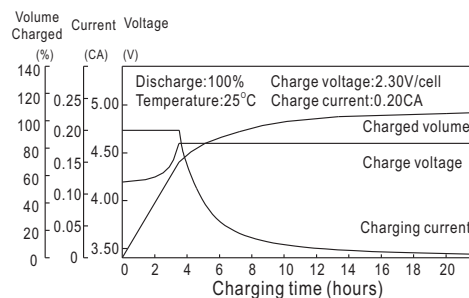
Characteristics

Capacity 20°C (68□) To 1.70V/Cell	20 hour rate	3.3Ah
	10 hour rate	3.0Ah
	5 hour rate	2.7Ah
	1 hour rate	1.96Ah
	15 min rate	1.43Ah
Internal resistance(Fully charged, 25°C)		Approx. 30mΩ
Capacity affected by temperature (20HR)	40°C	102%
	25°C	100%
	0°C	85%
	-15°C	65%
Self-discharge (25°C)	3 month	Remaining Capacity: 91%
	6 month	Remaining Capacity: 82%
	12 month	Remaining Capacity: 65%
Nominal operating temperature		25°C ±3°C(77°F ±5°F)
Operating temperature range		-15°C~5°C(5°F~122°F)
Float charging voltage(25°C)		4.50 to 4.60V
Cyclic charging voltage(25°C)		4.85 to 4.95V
Maximum charging current		1.2A
Terminal material		Copper
Maximum discharge current		50A(5 Sec.)

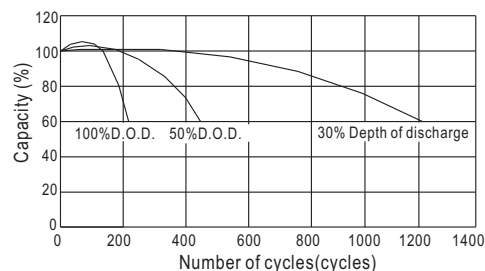
The Relationship for Open Circuit Voltage and Residual Capacity (25°C)



Charging Characteristics(25°C)



Cycle Life(25°C)



Constant Current Discharge Characteristics (A, 25°C)

F.V/TIME	5min	10min	15min	30min	60min	3h	5h	10h	20h
3.20V	12.2	7.59	5.94	3.56	2.05	0.79	0.55	0.30	0.167
3.40V	11.6	7.21	5.70	3.42	1.96	0.78	0.54	0.30	0.166
3.60V	10.9	6.78	5.42	3.25	1.87	0.76	0.53	0.30	0.165

Constant Power Discharge Characteristics (Watt, 25°C)

F.V/TIME	5min	10min	15min	30min	60min	3h	5h	10h	20h
3.20V	45.4	28.5	22.6	13.6	3.95	3.12	2.20	1.22	0.67
3.40V	43.2	27.1	21.7	13.1	3.79	3.07	2.17	1.21	0.66
3.60V	40.6	25.5	20.6	12.4	3.60	3.01	2.12	1.21	0.66