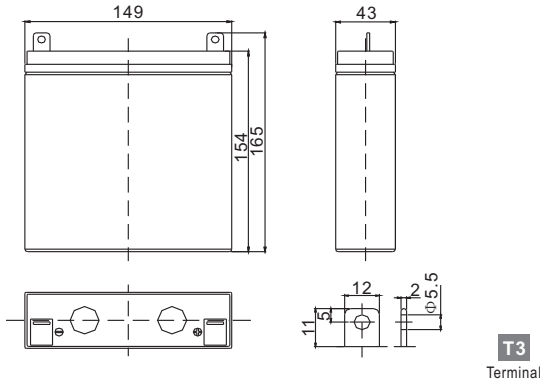


Standard Series FP4200 4V20Ah

FirstPower®

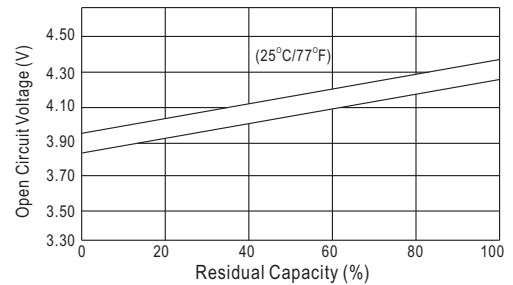
Dimension(mm)



Specification

Nominal Voltage		4 V
Capacity(20HR, 25°C)		20 Ah
Dimension	Length	149mm (5.87inch)
	Width	43mm (1.69inch)
	Height	154mm (6.06inch)
	Total Height	165mm (6.50inch)
Approx. Weight		2.25kg (4.96lbs)

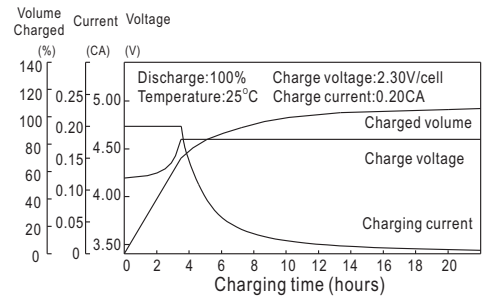
The Relationship for Open Circuit Voltage and Residual Capacity (25°C)



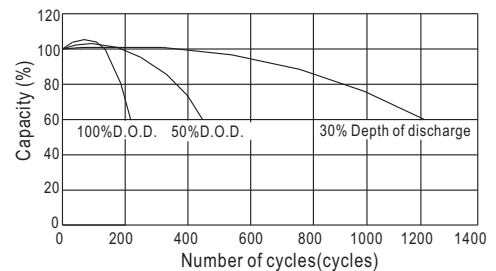
Characteristics

Capacity 20°C (68°F) To 1.70V/Cell	20 hour rate	20Ah
	10 hour rate	18.5Ah
	5 hour rate	17Ah
	1 hour rate	12.5Ah
	15 min rate	9.13Ah
Internal resistance(Fully charged, 25°C)		Approx. 6.5m Ω
Capacity affected by temperature (20HR)	40°C	102%
	25°C	100%
	0°C	85%
	-15°C	65%
Self-discharge (25°C)	3 month	Remaining Capacity: 91%
	6 month	Remaining Capacity: 82%
	12 month	Remaining Capacity: 65%
Nominal operating temperature		25°C ±3°C(77°F ±5°F)
Operating temperature range		-15°C~50°C(5°F~122°F)
Float charging voltage(25°C)		4.50 to 4.60V
Cyclic charging voltage(25°C)		4.85 to 4.95V
Maximum charging current		6A
Terminal material		Copper
Maximum discharge current		300A(5 Sec.)

Charging Characteristics(25°C)



Cycle Life(25°C)



Constant Current Discharge Characteristics (A, 25°C)

F.V/TIME	5min	10min	15min	30min	60min	3h	5h	10h	20h
3.20V	76.0	48.0	38.0	22.0	13.0	5.08	3.45	1.87	1.02
3.40V	72.2	45.6	36.5	21.1	12.5	5.00	3.40	1.85	1.01
3.60V	67.9	42.9	34.7	20.1	11.9	4.90	3.33	1.84	1.00

Constant Power Discharge Characteristics (Watt, 25°C)

F.V/TIME	5min	10min	15min	30min	60min	3h	5h	10h	20h
3.20V	283	180	144	84.0	50.2	20.1	13.7	7.47	4.06
3.40V	269	171	139	80.7	48.3	19.8	13.5	7.40	4.02
3.60V	252	161	132	76.6	45.9	19.4	13.3	7.40	4.00