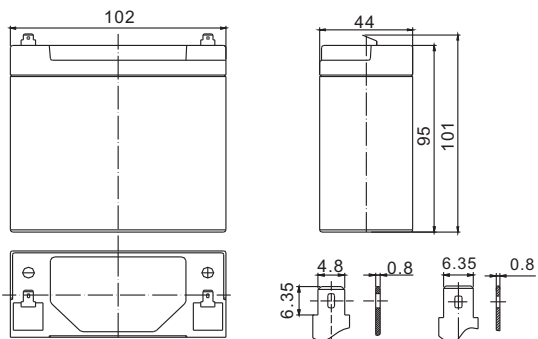


# Standard Series FP4100 4V10Ah

**FirstPower®**

## Dimension(mm)



**T1 T2**  
Terminal



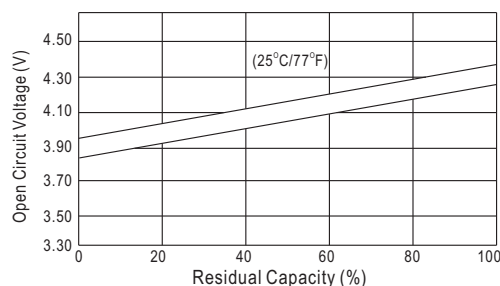
## Specification

Nominal Voltage		4 V
Capacity(20HR, 25°C)		10 Ah
Dimension	Length	102mm (4.02inch)
	Width	44mm (1.73inch)
	Height	95mm (3.74inch)
	Total Height(T1/T2)	101mm (3.98inch)
Approx. Weight		1.05kg (2.32lbs)

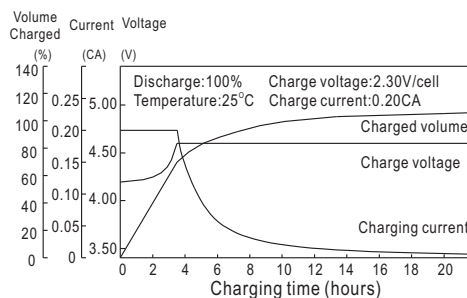
## Characteristics

Capacity 20°C (68□) To 1.70V/Cell	20 hour rate	10Ah
	10 hour rate	9.3Ah
	5 hour rate	8.5Ah
	1 hour rate	6.24Ah
	15 min rate	4.55Ah
Internal resistance(Fully charged, 25°C)		Approx. 8.5m Ω
Capacity affected by temperature (20HR)	40°C	102%
	25°C	100%
	0°C	85%
	-15°C	65%
Self-discharge (25°C)	3 month	Remaining Capacity: 91%
	6 month	Remaining Capacity: 82%
	12 month	Remaining Capacity: 65%
Nominal operating temperature		25°C ±3°C(77°F ±5°F)
Operating temperature range		-15°C~50°C(5°F~122°F)
Float charging voltage(25°C)		4.50 to 4.60V
Cyclic charging voltage(25°C)		4.85 to 4.95V
Maximum charging current		3A
Terminal material		Copper
Maximum discharge current		150A(5 Sec.)

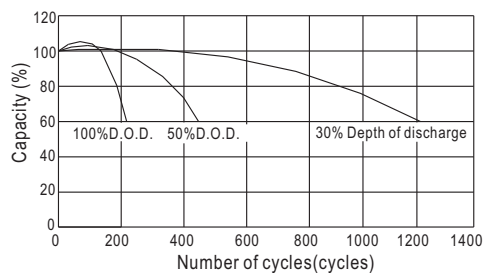
## The Relationship for Open Circuit Voltage and Residual Capacity (25°C)



## Charging Characteristics(25°C)



## Cycle Life(25°C)



## Constant Current Discharge Characteristics (A, 25°C)

F.V/TIME	5min	10min	15min	30min	60min	3h	5h	10h	20h
3.20V	42.0	24.0	19.0	11.0	6.50	2.54	1.73	0.93	0.51
3.40V	39.9	22.8	18.2	10.6	6.24	2.50	1.70	0.93	0.50
3.60V	37.5	21.4	17.3	10.0	5.93	2.45	1.67	0.92	0.50

## Constant Power Discharge Characteristics (Watt, 25°C)

	5min	10min	15min	30min	60min	3h	5h	10h	20h
156	103	76.0	42.0	25.0	10.2	6.87	3.86	2.03	
148	98.2	73.0	40.3	24.0	10.1	6.77	3.82	2.01	
140	92.3	69.1	38.3	22.8	9.90	6.63	3.82	2.00	