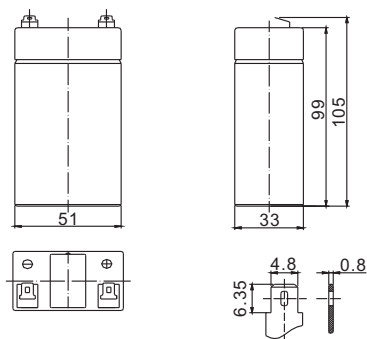


# Standard Series FP270 2V7.0Ah

**FirstPower®**

## Dimension(mm)



**T1**  
Terminal



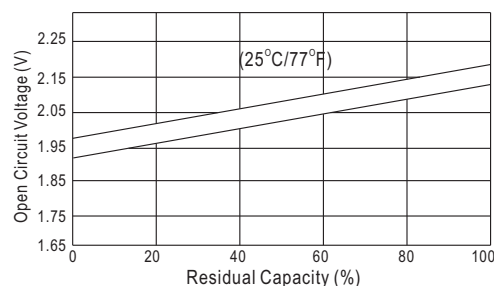
## Specification

Nominal Voltage		2 V
Capacity(20HR, 25°C)		7Ah
Dimension	Length	51mm (2.01inch)
	Width	33mm (1.30inch)
	Height	99mm (3.90inch)
	Total Height	105mm (4.13inch)
Approx. Weight		0.38kg (0.84lbs)

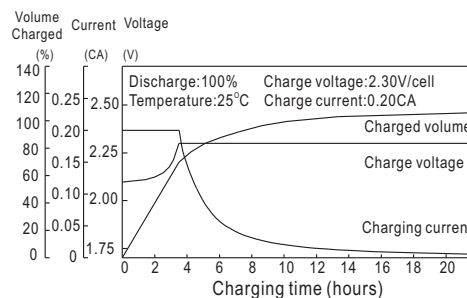
## Characteristics

Capacity 20°C (68□) To 1.70V/Cell	20 hour rate	7Ah
	10 hour rate	6.4Ah
	5 hour rate	5.8Ah
	1 hour rate	4.17Ah
	15 min rate	3.03Ah
Internal resistance(Fully charged, 25°C)		Approx. 6.5m Ω
Capacity affected by temperature (20HR)	40°C	102%
	25°C	100%
	0°C	85%
	-15°C	65%
Self-discharge (25°C)	3 month	Remaining Capacity: 91%
	6 month	Remaining Capacity: 82%
	12 month	Remaining Capacity: 65%
Nominal operating temperature		25°C ±3°C(77°F ±5°F)
Operating temperature range		-15°C~50°C(5°F~122°F)
Float charging voltage(25°C)		2.27 to 2.30V
Cyclic charging voltage(25°C)		2.42 to 2.48V
Maximum charging current		2.1A
Terminal material		Copper
Maximum discharge current		105A(5 sec.)

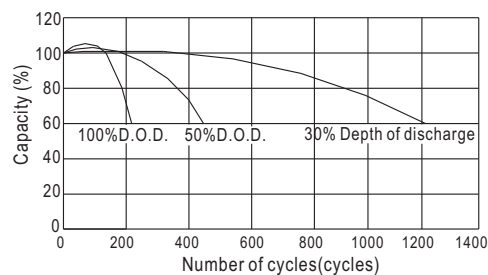
## The Relationship for Open Circuit Voltage and Residual Capacity (25°C)



## Charging Characteristics(25°C)



## Cycle Life(25°C)



## Constant Current Discharge Characteristics (A, 25°C)

F.V/TIME	5min	10min	15min	30min	60min	3h	5h	10h	20h
1.60V	25.9	16.1	12.6	7.56	4.34	1.67	1.17	0.65	0.355
1.70V	24.6	15.3	12.1	7.26	4.17	1.65	1.16	0.64	0.352
1.80V	23.1	14.4	11.5	6.89	3.96	1.61	1.13	0.64	0.350

## Constant Power Discharge Characteristics (Watt, 25°C)

5min	10min	15min	30min	60min	3h	5h	10h	20h
48.2	30.3	23.9	14.4	8.38	3.31	2.33	1.29	0.71
45.8	28.8	23.0	13.9	8.04	3.26	2.30	1.28	0.70
43.0	27.0	21.8	13.2	7.64	3.19	2.25	1.28	0.70